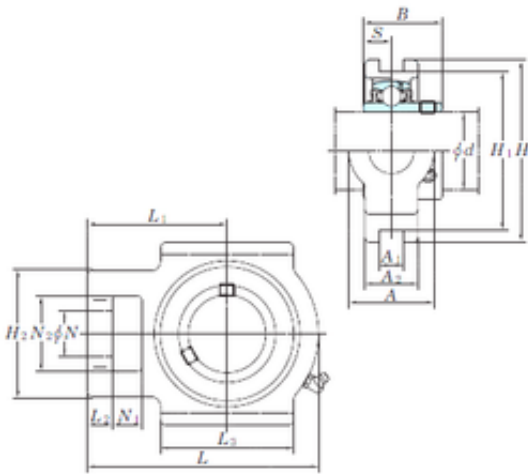




REXNORED BEARING LIMITED

KOYO UCT213E bearing units

Bearing No. UCT213E



UCT213E Bearing 2D drawings and 3D CAD models

Bore Diameter	65 mm
d	65 mm
L2	21 mm
L3	121 mm
A	70 mm
A1	27 mm
B	65,1 mm
H	167 mm
H1	150,8 mm
H2	111 mm
L	224 mm
L1	137 mm
N	41 mm
N1	32 mm
S	25,4 mm
A2	44 mm
N2	70 mm
Weight	6,9 Kg
Basic dynamic load rating (C)	57,2 kN
Basic static load rating (C0)	40,1 kN