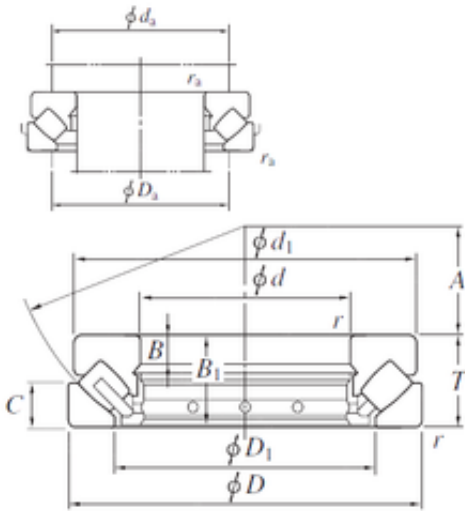




REXNORED BEARING LIMITED

480 mm x 850 mm x 81 mm KOYO 29496R
thrust roller bearings

Bearing No. 29496R



29496R Bearing 2D drawings and 3D CAD models

Size	480x850x224 mm
Bore Diameter	480 mm
Outer Diameter	850 mm
Width	224 mm
d	480 mm
D	850 mm
T	224 mm
d1	810 mm
r min.	95 mm
A	280 mm
B	81 mm
B1	216 mm
C	108 mm
D1	638 mm
da min.	645 mm
Da max.	730 mm
ra max.	8 mm
Weight	548 Kg
Basic dynamic load rating (C)	8690 kN
Bearing No.	29496R
r(min)	9.5
Ca	10900
Coa	36300
Oil lub.	270
da(min)	645



REXNORED BEARING LIMITED

Da(max)	730
ra(max)	8
(Refer.) Mass(kg)	548