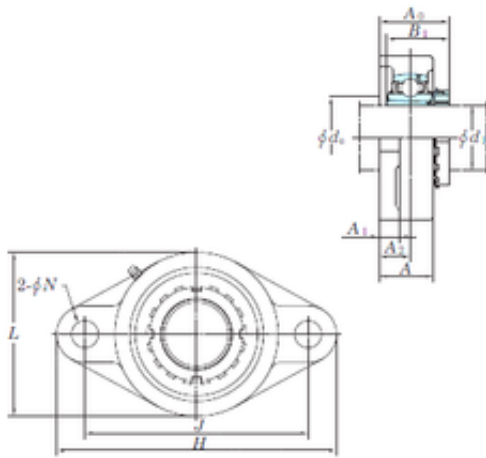




REXNORED BEARING LIMITED

KOYO UKFL308 bearing units

Bearing No. UKFL308



| | |
|-------------------------------|---------|
| Bore Diameter | 35 mm |
| d | 35 mm |
| A0 | 50,5 mm |
| A | 40 mm |
| A1 | 17 mm |
| B1 | 46 mm |
| H | 200 mm |
| J | 158 mm |
| L | 112 mm |
| N | 23 mm |
| Bolt (G) | M20 |
| A2 | 23 mm |
| Weight | 2,5 Kg |
| Basic dynamic load rating (C) | 40,7 kN |
| Basic static load rating (C0) | 24 kN |

UKFL308 Bearing 2D drawings and 3D CAD models