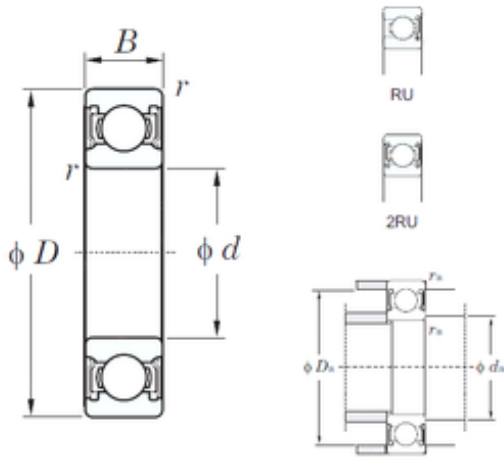




# REXNORED BEARING LIMITED



85 mm x 150 mm x 28 mm KOYO 6217-2RU  
deep groove ball bearings

Bearing No. 6217-2RU

Size	85x150x28 mm
Bore Diameter	85 mm
Outer Diameter	150 mm
Width	28 mm
d	85 mm
D	150 mm
B	28 mm
C	28 mm
r min.	2 mm
da min.	94 mm
da max	102 mm
Da max.	141 mm
ra max.	2 mm
Weight	1,79 Kg
Basic dynamic load rating (C)	84 kN
Basic static load rating (C0)	61,9 kN
(Grease) Lubrication Speed	4200 r/min

6217-2RU Bearing 2D drawings and 3D CAD models