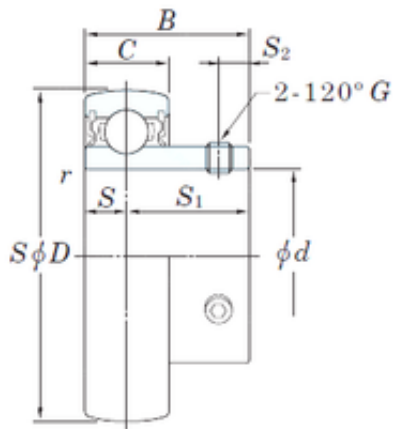




# REXNORED BEARING LIMITED

## 100,0125 mm x 215 mm x 108 mm KOYO UC320-63 deep groove ball bearings



Bearing No. UC320-63

Size	100.0125x215x108 mm
Bore Diameter	100,0125 mm
Outer Diameter	215 mm
Width	108 mm
d	100,0125 mm
D	215 mm
B	108 mm
C	54 mm
S1	66 mm
r min.	3 mm
S	42 mm
S2	20 mm
Thread (G)	M18 × 1,5
Weight	11,2 Kg
Basic dynamic load rating (C)	173 kN
Basic static load rating (C0)	141 kN

UC320-63 Bearing 2D drawings and 3D CAD models