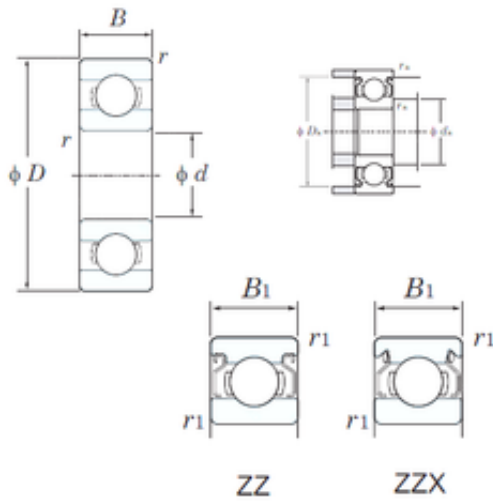




# REXNORED BEARING LIMITED

5 mm x 8 mm x 2,5 mm KOYO WML5008ZZ  
deep groove ball bearings

Bearing No. WML5008ZZ



WML5008ZZ Bearing 2D drawings and 3D CAD models

Size	5x8x2.5 mm
Bore Diameter	5 mm
Outer Diameter	8 mm
Width	2,5 mm
d	5 mm
D	8 mm
B	2,5 mm
C	2,5 mm
r min.	0,08 mm
r1 min.	0,05 mm
da min.	5,6 mm
Da max.	7,4 mm
ra max.	0,05 mm
Weight	0,0003 Kg
Basic dynamic load rating (C)	0,26 kN
Basic static load rating (C0)	0,12 kN
(Grease) Lubrication Speed	59000 r/min