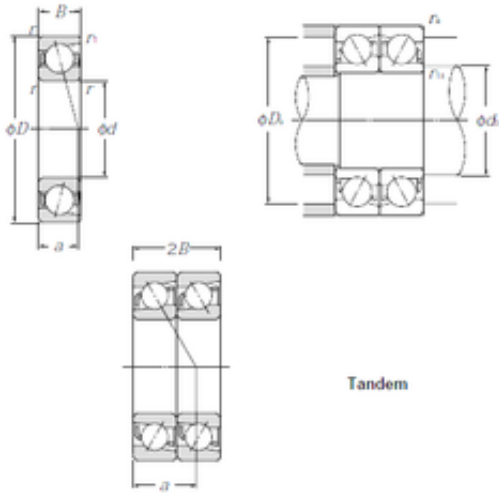




# REXNORED BEARING LIMITED

10 mm x 26 mm x 8 mm NTN 7000DT angular contact ball bearings

Bearing No. 7000DT



7000DT Bearing 2D drawings and 3D CAD models

Size	10x26x8 mm
Bore Diameter	10 mm
Outer Diameter	26 mm
Width	8 mm
d	10 mm
D	26 mm
B	8 mm
ra1 max.	0,15 mm
Angle ( ° )	25 °
a	9 mm
r min.	0,3 mm
r1 min.	0,15 mm
2B	16 mm
da min.	12,5 mm
Da max.	23,5 mm
db min	12,5 mm
ra max.	0,3 mm
Db max	24,8 mm
Weight	0,046 Kg
Basic dynamic load rating (C)	7,5 kN
Basic static load rating (C0)	4,15 kN
(Grease) Lubrication Speed	23 000 r/min