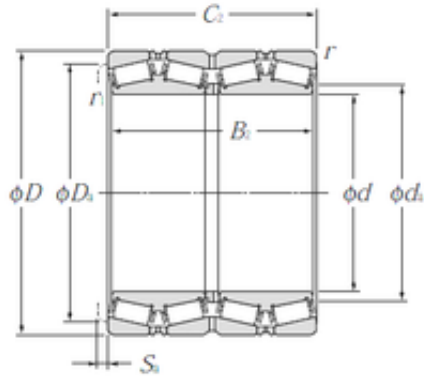




REXNORED BEARING LIMITED

520 mm x 735 mm x 535 mm NTN E-CRO-10402 tapered roller bearings



Bearing No. E-CRO-10402

Size	520x735x535 mm
Bore Diameter	520 mm
Outer Diameter	735 mm
Width	535 mm
d	520 mm
D	735 mm
B	535 mm
C	535 mm
r min.	5 mm
r1 min.	7 mm
Da	688 mm
da	558 mm
Sa	11 mm
Weight	750 Kg
Basic dynamic load rating (C)	9 100 kN

E-CRO-10402 Bearing 2D drawings and 3D CAD models