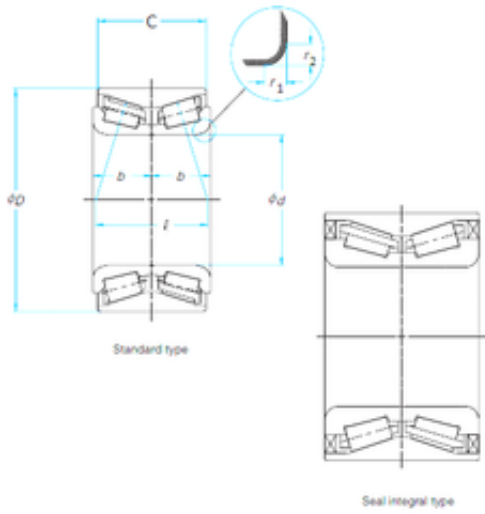




REXNORED BEARING LIMITED



42 mm x 80 mm x 38 mm NTN 4T-CRI08A24 tapered roller bearings

Bearing No. 4T-CRI08A24

Size	42x80x38 mm
Bore Diameter	42 mm
Outer Diameter	80 mm
Width	38 mm
d	42 mm
D	80 mm
B	38 mm
C	38 mm

4T-CRI08A24 Bearing 2D drawings and 3D CAD models