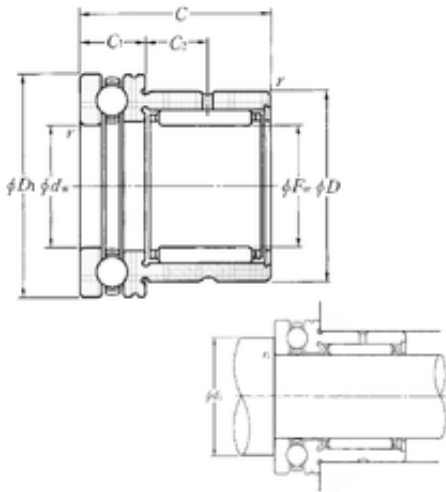




REXNORED BEARING LIMITED

NTN NKX15T2 complex bearings



Bearing No. NKX15T2

NKX15T2 Bearing 2D drawings and 3D CAD models

Bore Diameter	15 mm
Outer Diameter	28 mm
d	15 mm
Fw	15 mm
D	24 mm
D1	28 mm
C	23 mm
r min.	0,3 mm
C1	9 mm
da min.	23 mm
ra max.	0,3 mm
C2	6,5 mm
Weight	0,044 Kg
Dynamic load rating radial (C)	8,25 kN
Dynamic load rating axial (C)	10,5 kN
Static load rating radial (C0)	10,2 kN
Static load rating axial (C0)	16,8 kN
(Grease) Lubrication Speed	6200 r/min
dw	15 mm
rs min	0.3 mm
Dw	2 mm
Dw1	4.76 mm
Lw	9.8 mm
Lubrication hole on outer ring	Oui/Yes



REXNORED BEARING LIMITED

k	2.5 mm
Precision class	P0
Mass	0.04 kg
Cr	8.25 kN
Ca	10.5 kN
C0r	10.2 kN
C0a	16.8 kN
Nlim (grease)	6,200 rpm
Nlim (oil)	8,800 rpm
Min operating temperature, Tmin	-20 ° C
Max operating temperature, Tmax	120 ° C
da min	23 mm
ras max	0.3 mm
Category	Roller Bearings
Inventory	0.0
Manufacturer Name	NTN
Minimum Buy Quantity	N/A
Weight / Kilogram	0.047
EAN	4547359126082
Product Group	B04144
bore diameter:	15 mm
static load capacity:	1040 kgf
outside diameter:	28 mm
maximum rpm:	8800 RPM
overall width:	23 mm
flanges:	No Flange
needle bearing type:	Machined Bearing with No Inner Ring
series:	NKX
closure type:	Open
lubrication hole type:	No Hole



REXNORED BEARING LIMITED

dynamic load capacity:	840 kgf
precision rating:	Not Rated