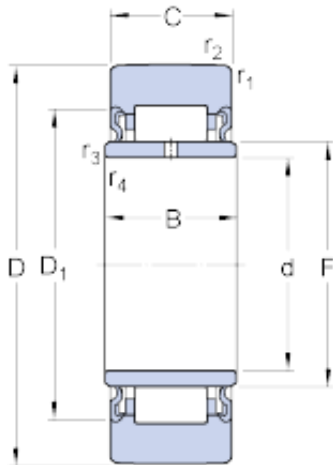




REXNORED BEARING LIMITED

17 mm x 40 mm x 16 mm SKF NA 2203.2RS cylindrical roller bearings



Bearing No. NA 2203.2RS

NA 2203.2RS Bearing 2D drawings and 3D CAD models

Size	17x40x15.8 mm
Bore Diameter	17 mm
Outer Diameter	40 mm
Width	15,8 mm
D	40 mm
d	17 mm
C	15.8 mm
B	16 mm
D ₁	28 mm
F	22 mm
r _{1,2} - min.	1 mm
r _{3,4} - min.	0.3 mm
Basic dynamic load rating - C	9.5 kN
Basic static load rating - C ₀	13.2 kN
Fatigue load limit - P _u	1.6 kN
Maximum dynamic radial loads - F _r	15.3 kN
Maximum static radial loads - F _{0r}	22 kN
Limiting speed	4500 r/min
Category	Cam Follower and Track Roller - Yoke Type
Inventory	0.0
Manufacturer Name	SKF
Minimum Buy Quantity	N/A



REXNORED BEARING LIMITED

Weight / Kilogram	0.11
EAN	7316577011947
Product Group	B04144
Roller Surface Profile	Crowned
Profile	Yoke Type
Enclosure	Sealed
Rolling Element	Needle Bearing
Relubricatable	Yes
Inch - Metric	Metric
Other Features	Caged With Inner Ring Lip Seal
Long Description	17MM Bore; 40MM Roller Diameter; 15.8MM Roller Width; Crowned Roller; Yoke Type; Sealed; Needle Bearing; Relubricatable
Category	Cam Followers Yoke Type
UNSPSC	31171530
Harmonized Tariff Code	8482.40.00.00
Noun	Bearing
Keyword String	Cam Follower
Manufacturer URL	http://www.skf.com
Manufacturer Item Number	NA 2203.2RS
Weight / LBS	0.243
Bore	0.669 Inch 17 Millimeter
Roller Width	0.622 Inch 15.8 Millimeter
Roller Diameter	1.575 Inch 40 Millimeter
roller diameter:	40 mm
radial static load capacity:	22.8 kN
roller width:	15.8 mm
roller material:	Chrome Steel
bore diameter:	17 mm
maximum rpm:	4500 RPM
roller shape:	Crowned



REXNORED BEARING LIMITED

lubrication hole location:	Inner Ring
bearing element:	Needle Rollers
axial dynamic load capacity:	9.35 kN
closure type:	Sealed
axial static load capacity:	12.9 kN
operating temperature range:	Maximum of +280 ° F
finish/coating:	Uncoated
radial dynamic load capacity:	16 kN
standards met:	ANSI/ABMA Standard 18.1
D_1	28 mm
$r_{1,2}$ min.	1 mm
$r_{3,4}$ min.	0.3 mm
Basic dynamic load rating C	9.52 kN
Basic static load rating C_0	13.2 kN
Fatigue load limit P_u	1.6 kN
Maximum dynamic radial load F_r max.	15.3 kN
Maximum static radial load F_{0r} max.	22 kN
Mass support roller	0.11 kg